

# CR12 TRAIL SERIES

#40003 CR12 Trail Series Toyota FJ45 (Blue)  
#40004 CR12 Trail Series Toyota FJ45 (Gray)

1:12 Scale Ready-To-Run  
Electric 4x4 Off Road Truck



READY-TO-RUN

1:12 Scale Ready-To-Run Electric 4x4 Off Road Truck Manual & Catalog



CHAMPIONS *by* DESIGN

TeamAssociated.com

# TEAM ASSOCIATED

## :: Safety Precautions 安全注意事項

**Please read all of the instructions and familiarize yourself with the product and its controls before operation.**

1. This product is not a toy. It is a high performance models car therefore it is important to familiarize yourself with the model, its manual, and its construction before assembly or operation. Adult supervision is necessary for children operating this model.
2. Always keep this instruction manual on hand during assembly and for operating reference.
3. Do not use a power screwdriver to install screws into plastic parts. A power screwdriver's high rotation speed can heat up the screw being installed which can result in some melting of the plastic parts or stripped threads.
4. For best performance, it is important to make sure all the moving parts can move freely without binding.
5. This product, its parts, and its assembly tools can be harmful to your health. Always exercise extreme caution when assembling and operating this product. Keep away from any high speed rotating parts during operation.

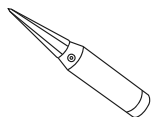
在您開始操作本產品前，請詳閱本產品說明書。

1. 本產品為高性能模型產品非一般玩具，組裝與操作過程皆須由成人陪同。請詳讀此本使用說明書，避免因組裝錯誤與操作不當造成損壞。
2. 請妥善保管此說明書，對於後續維修、操控說明將可提供您協助。
3. 請勿使用電動工具旋緊自攻螺絲於塑膠零件上，可能導致塑膠零件融化或滑牙。
4. 請檢視所有活動部位零件是否不受干涉，可靈活作動，以達車輛最佳性能。
5. 此項產品具有相當之危險性，於組裝、調整、操控上的不熟悉都可能造成自身或他人的傷害。

## :: Index 索引

STEP 1	Chassis 車體.....	pg 2	STEP 13	Center Gear Case 中央齒輪箱.....	pg 9
STEP 2	Front/Rear Differential 前/後差速組....	pg 3	STEP 14	Motor 馬達組.....	pg 9
STEP 3	Front Axle 前傳動組.....	pg 4	STEP 15	Battery Plate 電池板.....	pg 11
STEP 4	Front Steering Set 前轉向組.....	pg 4	STEP 16	Servo Set 伺服器組.....	pg 10
STEP 5	Rear Hub Set 後輪座組.....	pg 5	STEP 17	Steering Turnbuckle 轉向拉桿.....	pg 11
STEP 6	Shock Assembly 避震器組.....	pg 5	STEP 18	Side Guard 側板.....	pg 11
STEP 7	Front Adjustable Links 前可調連桿組.....	pg 6	STEP 19	Front Bumper 前防撞板.....	pg 12
STEP 8	Front Suspension 前懸吊組.....	pg 6	STEP 20	Rear Bumper 前防撞板.....	pg 12
STEP 9	Rear Adjustable Links 後可調連桿組.....	pg 7	STEP 21	Front/Rear Body Post 前/後車殼支柱.....	pg 13
STEP 10	Rear Suspension 後懸吊組.....	pg 7	STEP 22	Tires & Wheels 輪胎與輪框.....	pg 13
STEP 11	Center Gear 中央齒輪.....	pg 8	STEP 23	Body 車殼.....	pg 14
STEP 12	Center Drive Shaft 中央傳動軸.....	pg 8	STEP 24	Body 車殼.....	pg 15

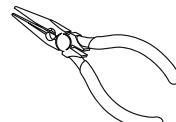
## :: Tools Required For Assembly 組裝維修工具



Body Reamer #1499  
車殼鑽孔器



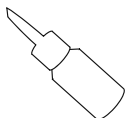
FT Body Scissors #1737  
車殼專用剪



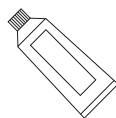
Needle Nose Pliers  
尖嘴鉗



Wire Cutter  
斜口剪



FT Locking Adhesive  
(Threadlocker) #1596  
螺絲防鬆膠



Black Grease  
#6588  
潤滑油膏(黃油)



FT Tire Adhesive  
(CA Glue) #1597  
快乾膠



FT Hex Driver Tool Set  
1.5/2.0/2.5mm #1518  
六角板手組

## :: Symbol Reference Key 說明書符號說明



Build right and left assembly  
組裝左和右配件



Build front and rear assembly  
組裝前和後配件



Assemble the same two parts  
組裝兩次相同配件


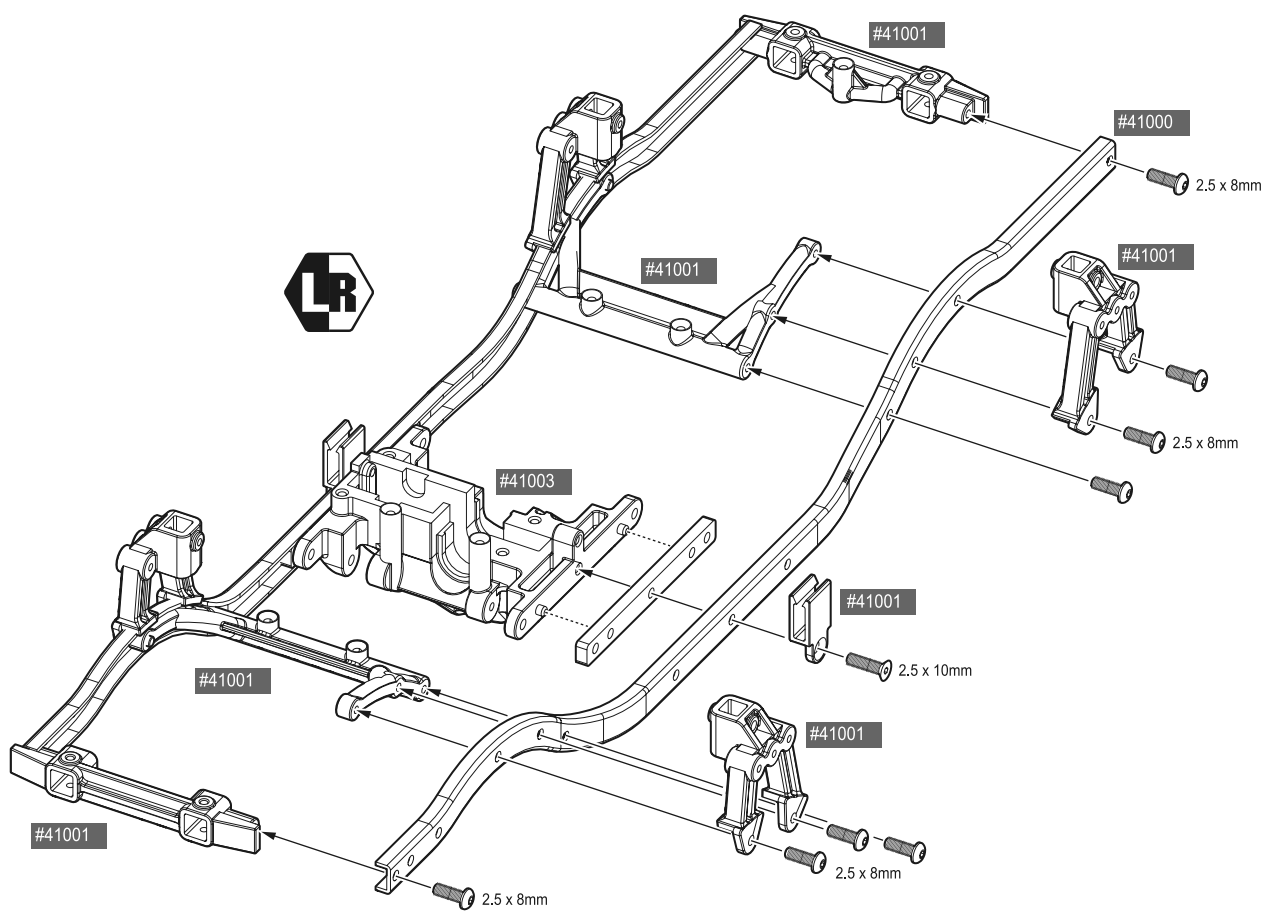
Associated Electrics, Inc.  
26021 Commercentre Dr.  
Lake Forest, CA 92630

**TEAM ASSOCIATED**  
WORLD CHAMPION R/C CARS





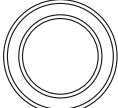
Customer Service  
Tel: 949.544.7500  
Fax: 949.544.7501

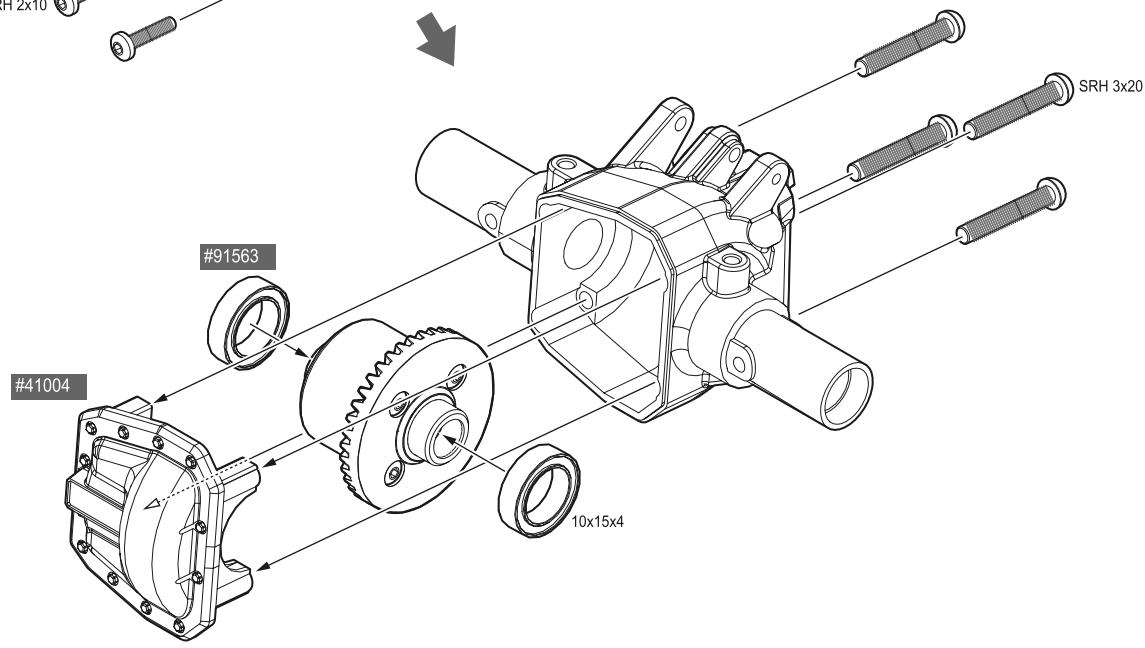
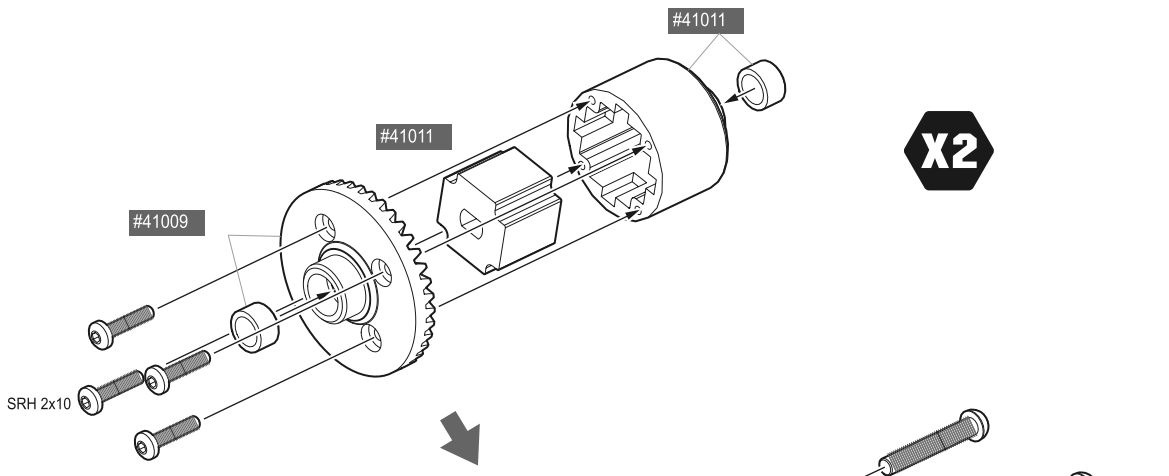
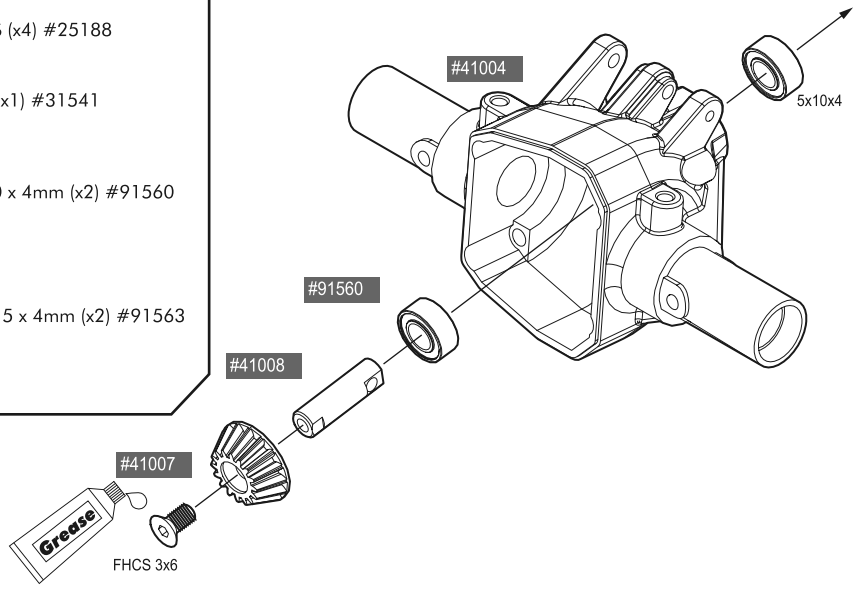
**STEP 1** :: Chassis 車體

 M2.5 x 8mm (x16) BHCS #31521

 M2.5 x 10mm (x2) FHCS #31350


**STEP 2** :: **Front/Rear Differential** 前/後差速組

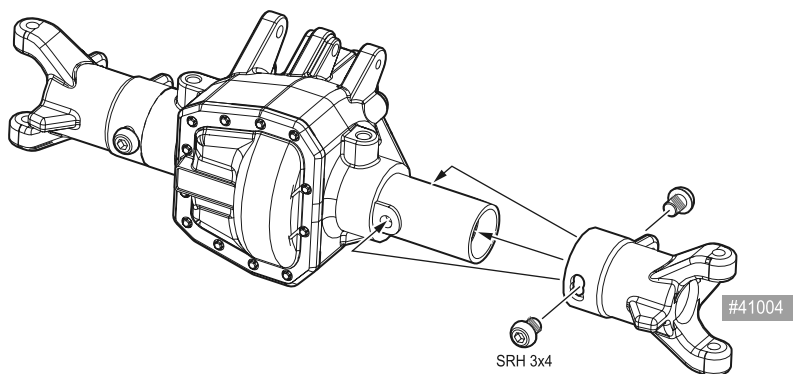
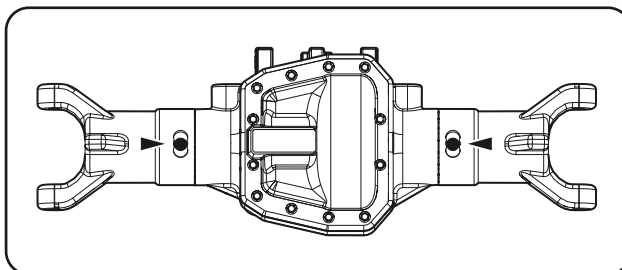
-  M2 x 10mm SRH Screw (x8) #41073
-  M3 x 20mm BHCS (x4) #25188
-  M3 x 6mm FHCS (x1) #31541
-  FT Bearings 5 x 10 x 4mm (x2) #91560
-  FT Bearings 10 x 15 x 4mm (x2) #91563



### STEP 3 :: Front Axle 前傳動組



M3 x 4mm BHCS (x4) #91158



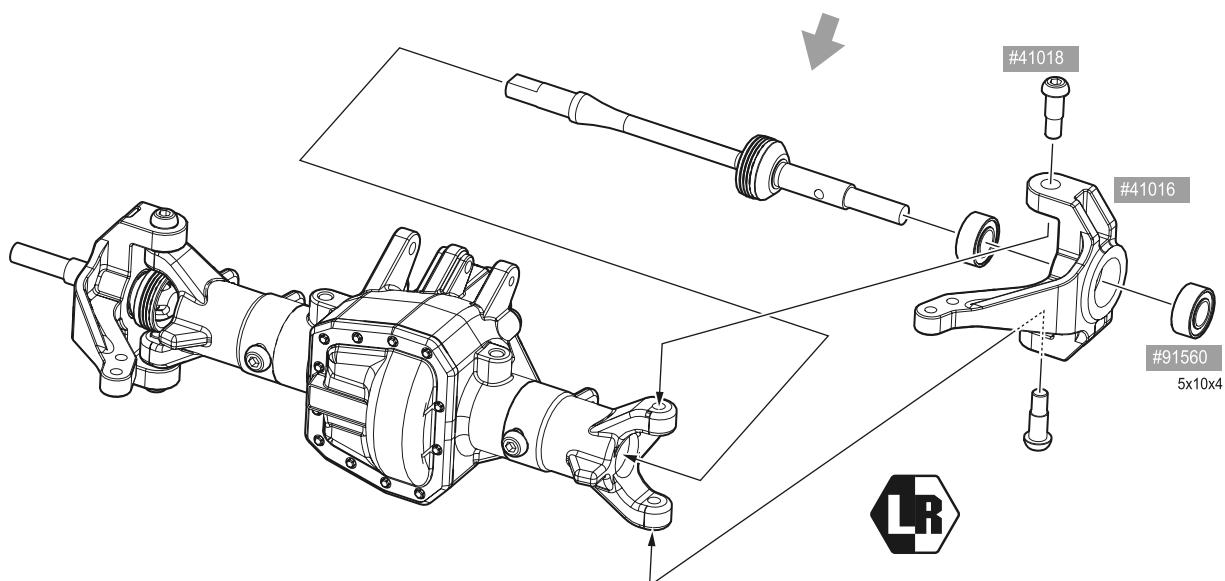
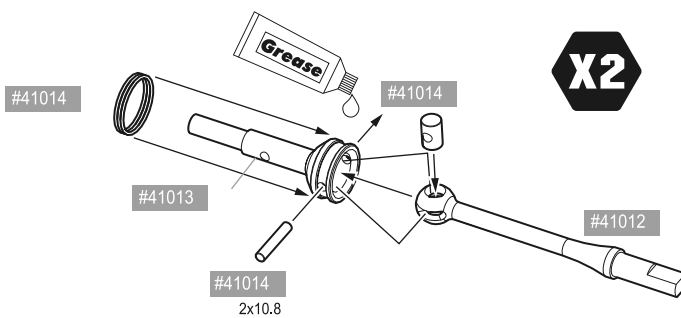
### STEP 4 :: Front Steering Set 前轉向組





3 x 11.6mm C-Hub Screw (x4) #41018

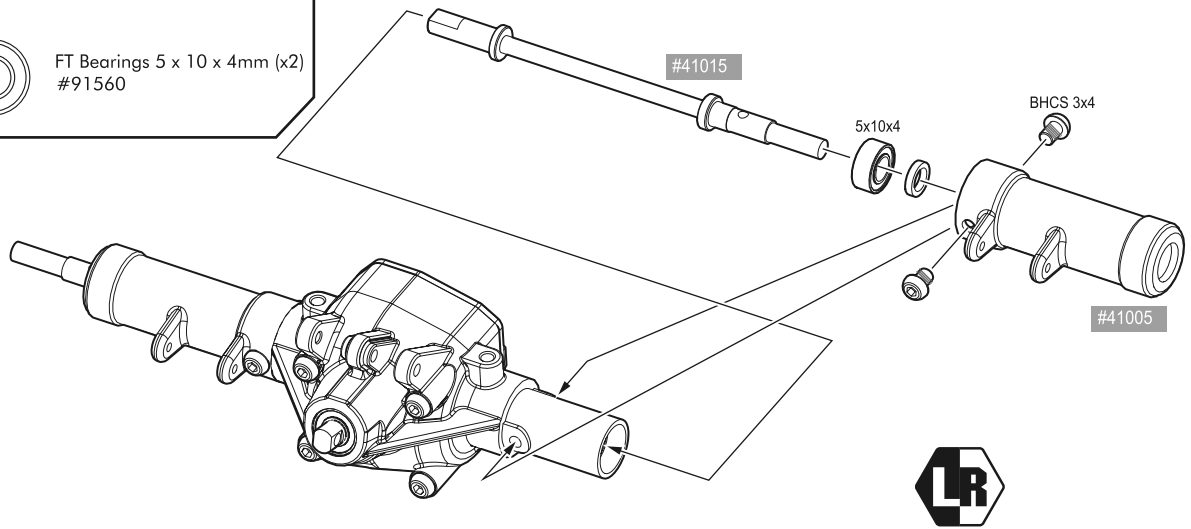


FT Bearings 5 x 10 x 4mm (x4) #91560

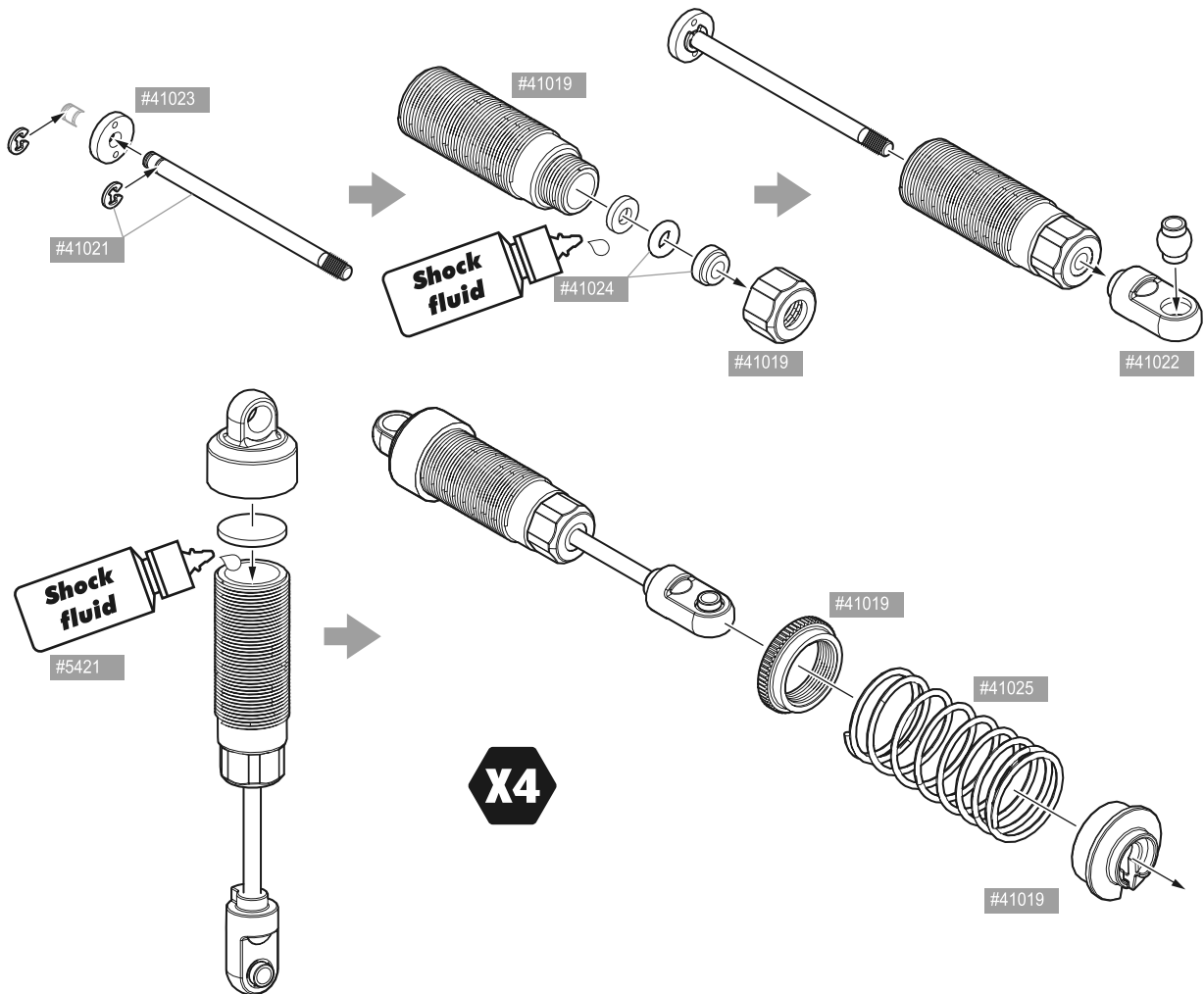


**STEP 5** :: Rear Hub Set 後輪座組

-  M3 x 4mm BHCS (x4) #91158
-  FT Bearings 5 x 10 x 4mm (x2) #91560

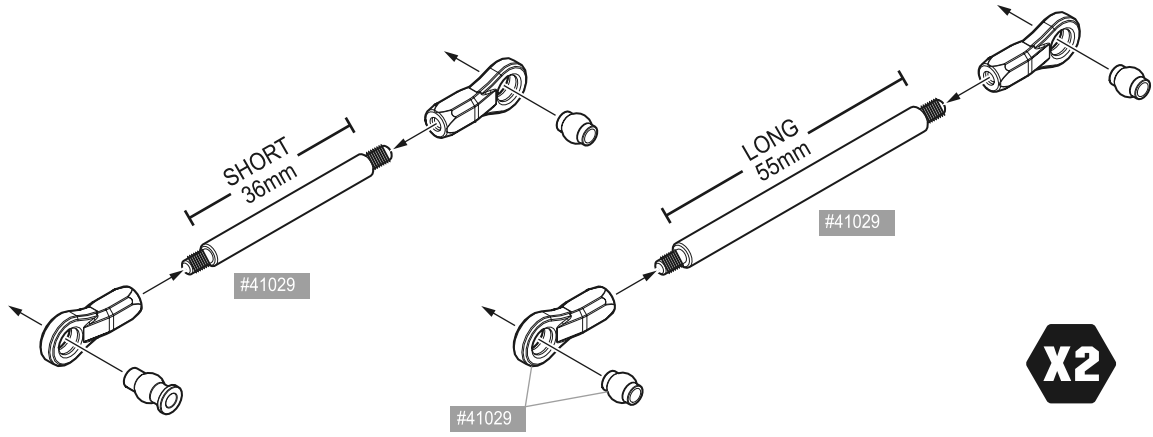


**STEP 6** :: Shock Assembly 避震器組







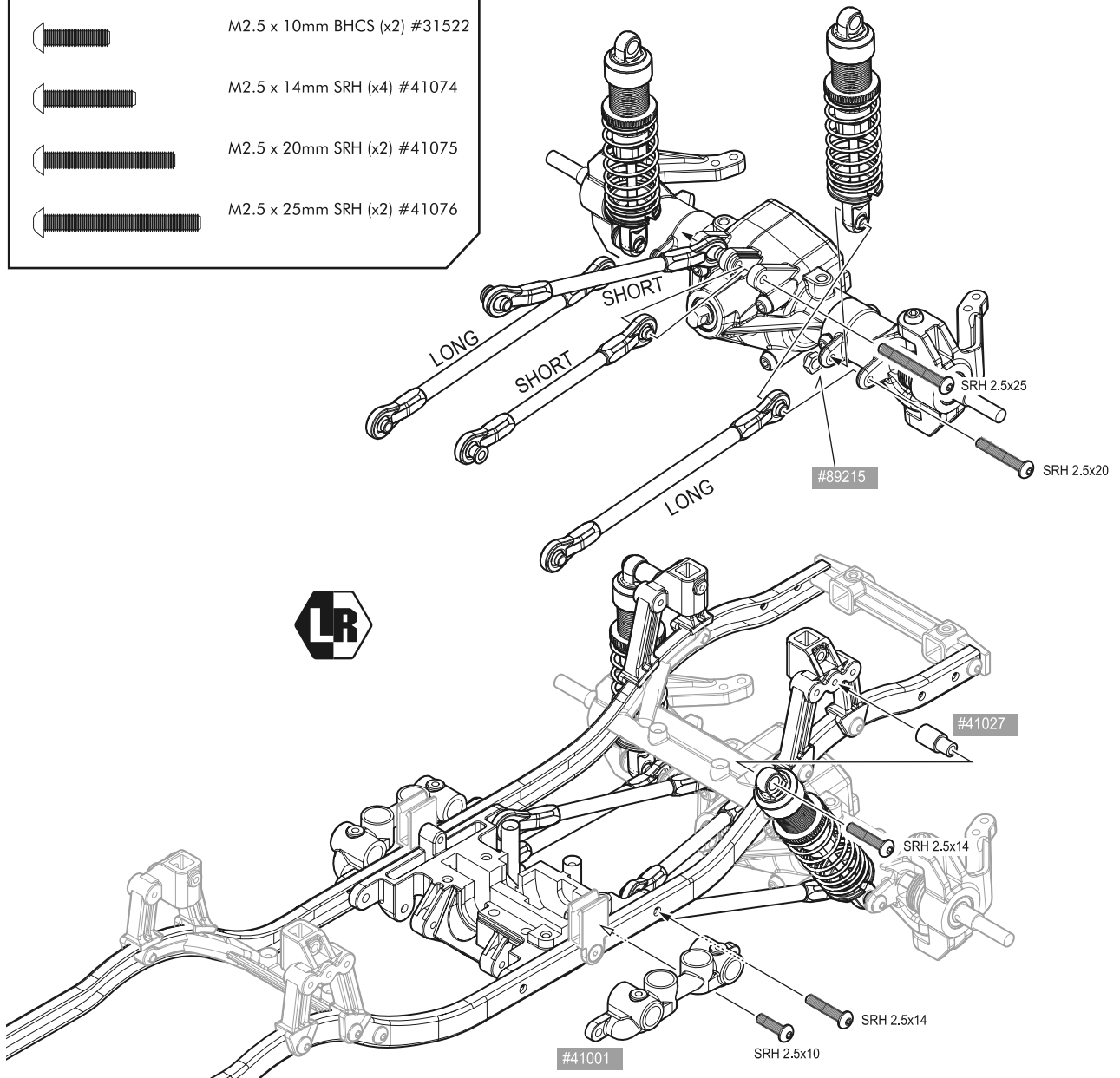
**X4**

**STEP 7** :: Front Adjustable Links 前可調連桿

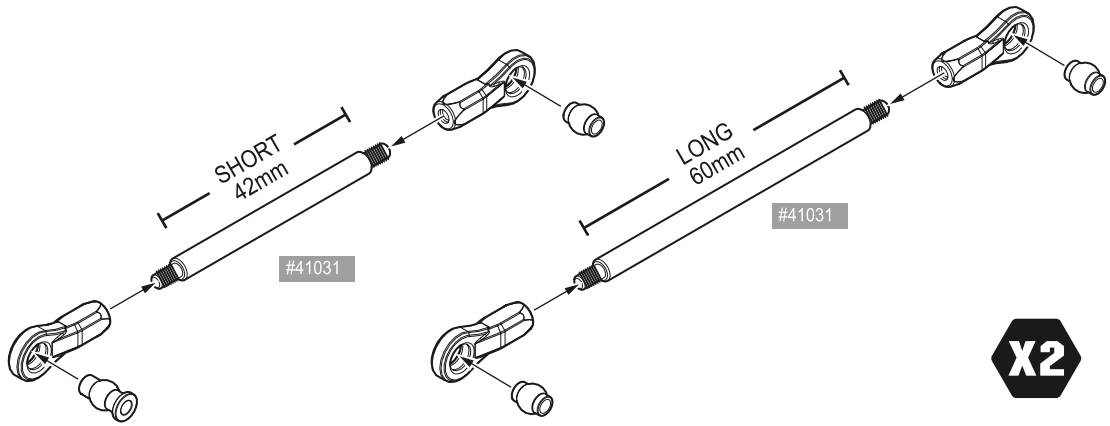


**STEP 8** :: Front Suspension 前懸吊組





-  M2.5 x 10mm BHCS (x2) #31522
-  M2.5 x 14mm SRH (x4) #41074
-  M2.5 x 20mm SRH (x2) #41075
-  M2.5 x 25mm SRH (x2) #41076

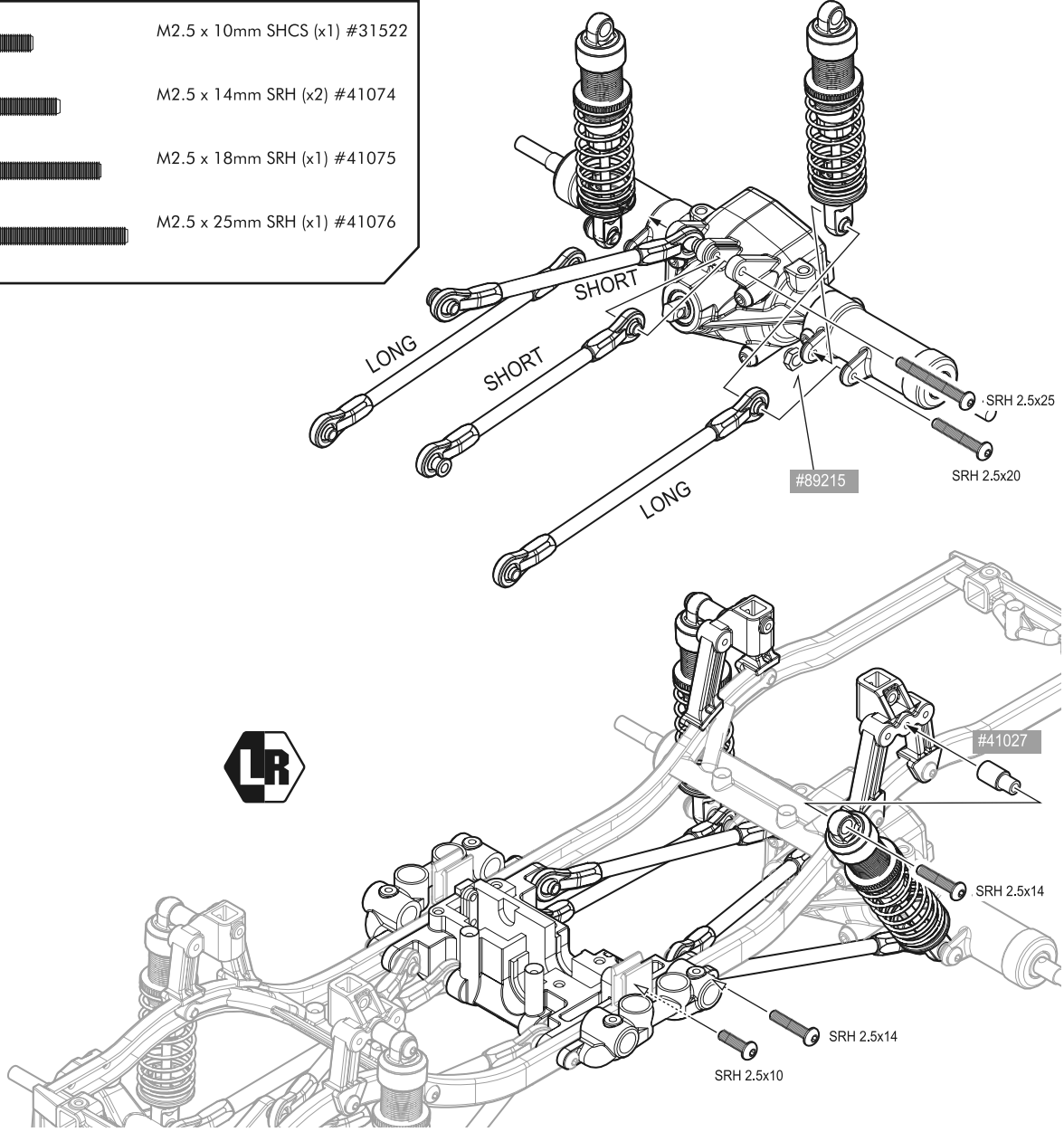


**STEP 9** :: Rear Adjustable Links 後可調連桿

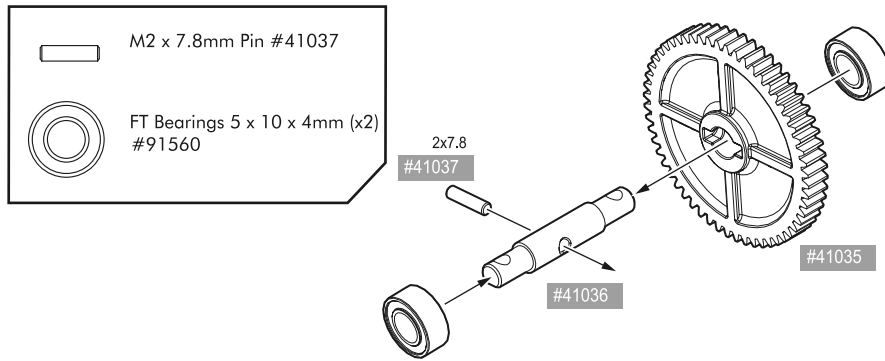
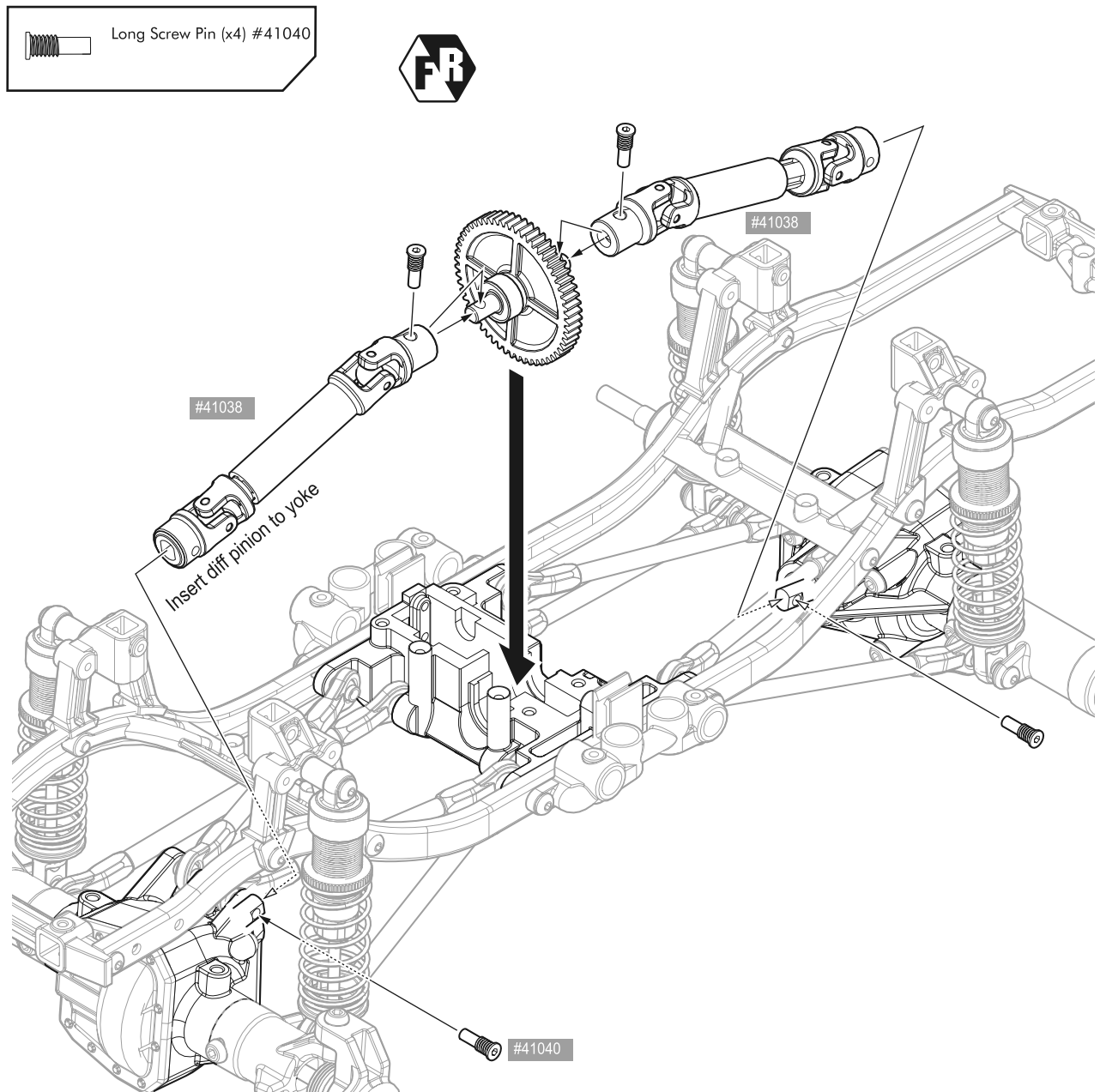


**STEP 10** :: Rear Suspension 後懸吊組

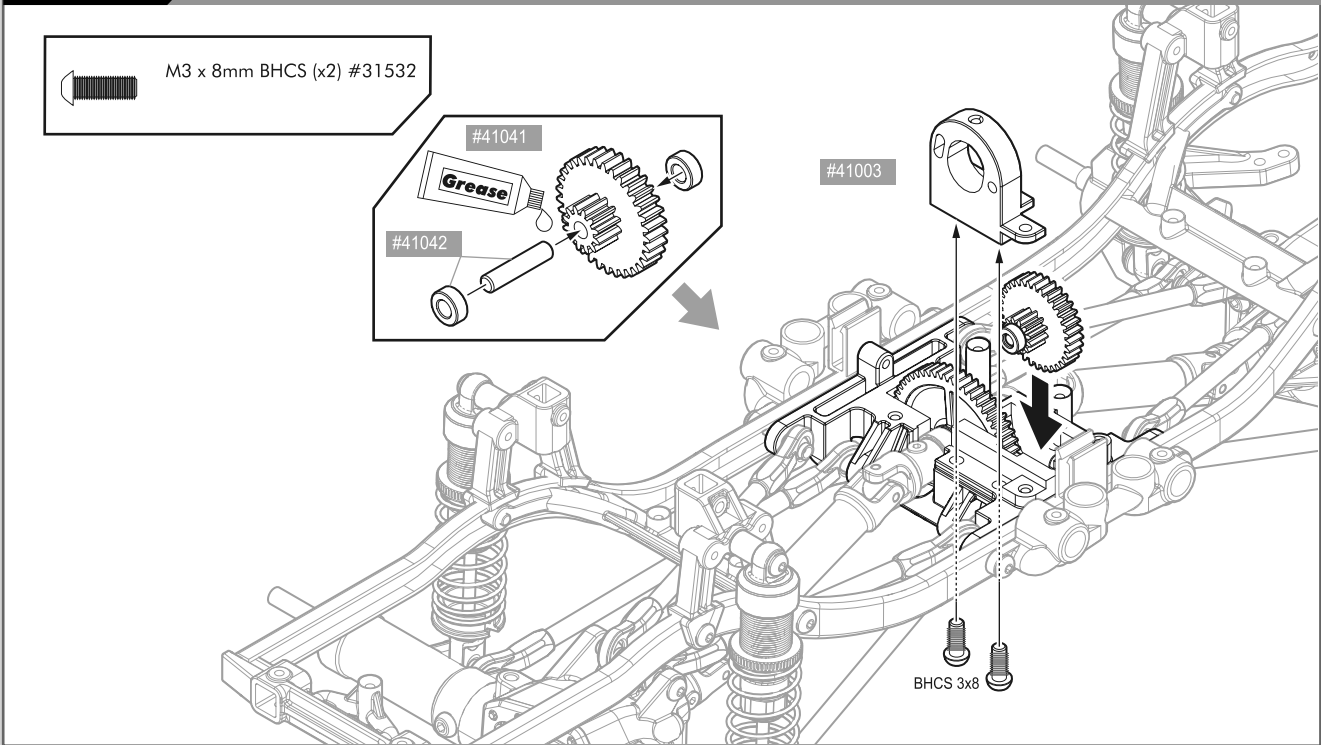
-  M2.5 x 10mm SHCS (x1) #31522
-  M2.5 x 14mm SRH (x2) #41074
-  M2.5 x 18mm SRH (x1) #41075
-  M2.5 x 25mm SRH (x1) #41076



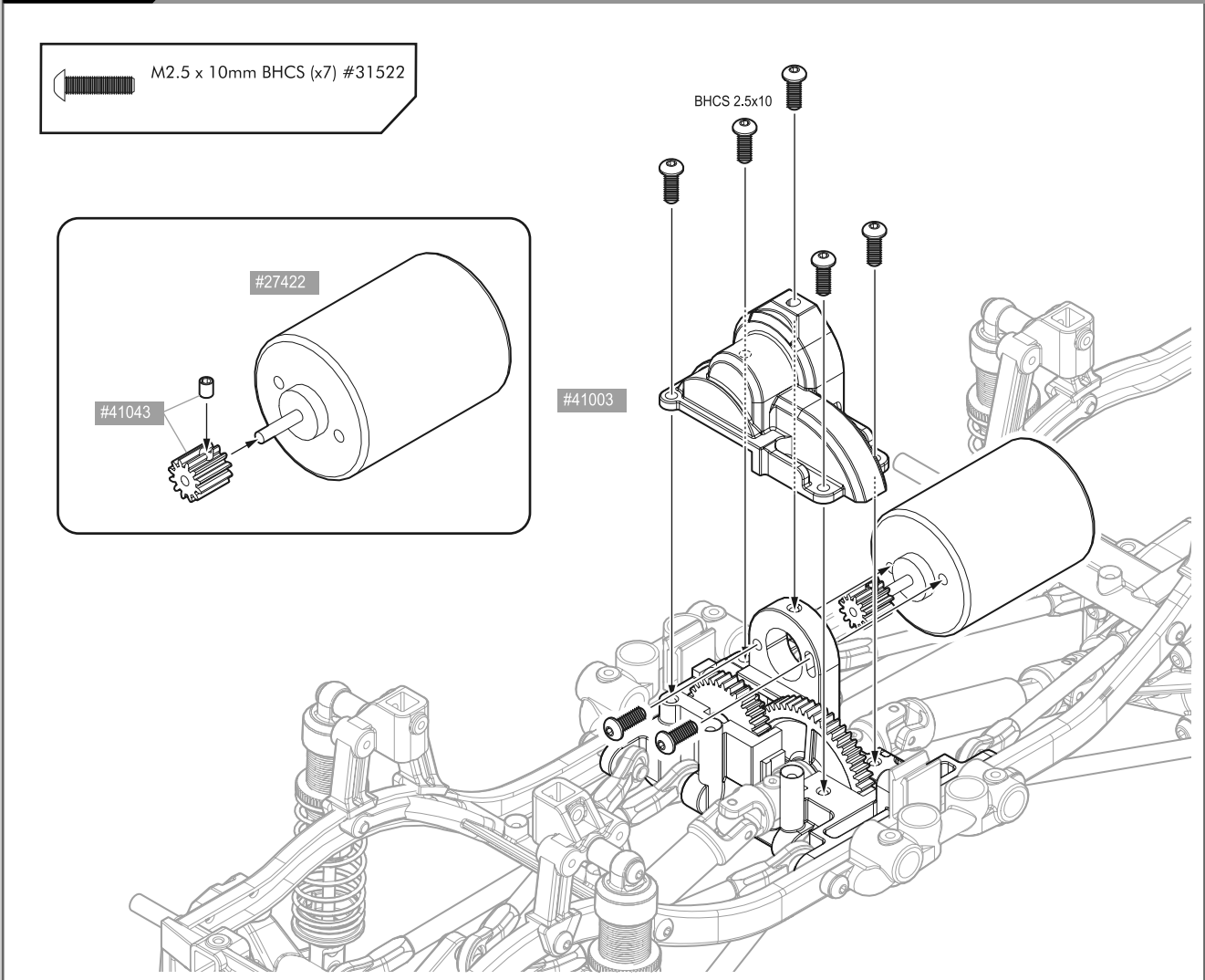


**STEP 11** :: Center Gear 中央齒輪

**STEP 12** :: Center Drive Shaft 中央傳動軸


**STEP 13** :: Center Gear Case 中央齒輪箱



**STEP 14** :: Motor 馬達組



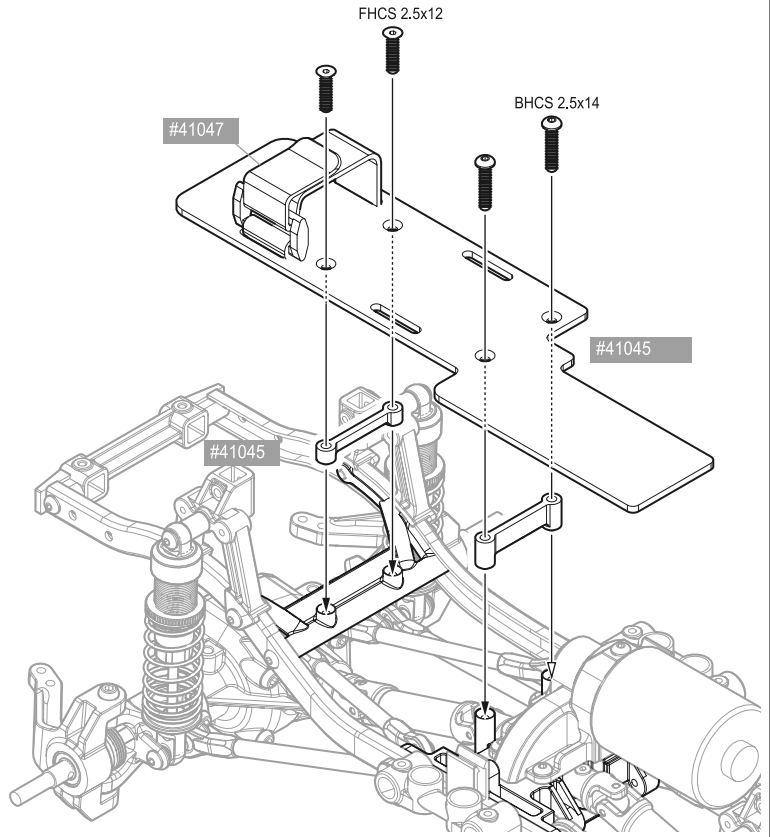
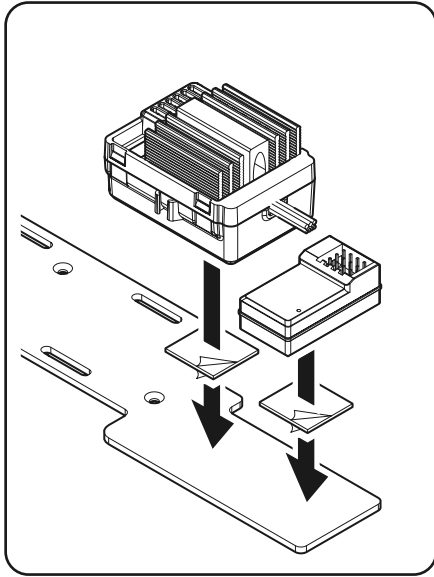
**STEP 15** :: Battery Plate 電池板



M2.5 x 12mm FHCS (x2) #41077



M2.5 x 14mm BHCS (x2) #41074



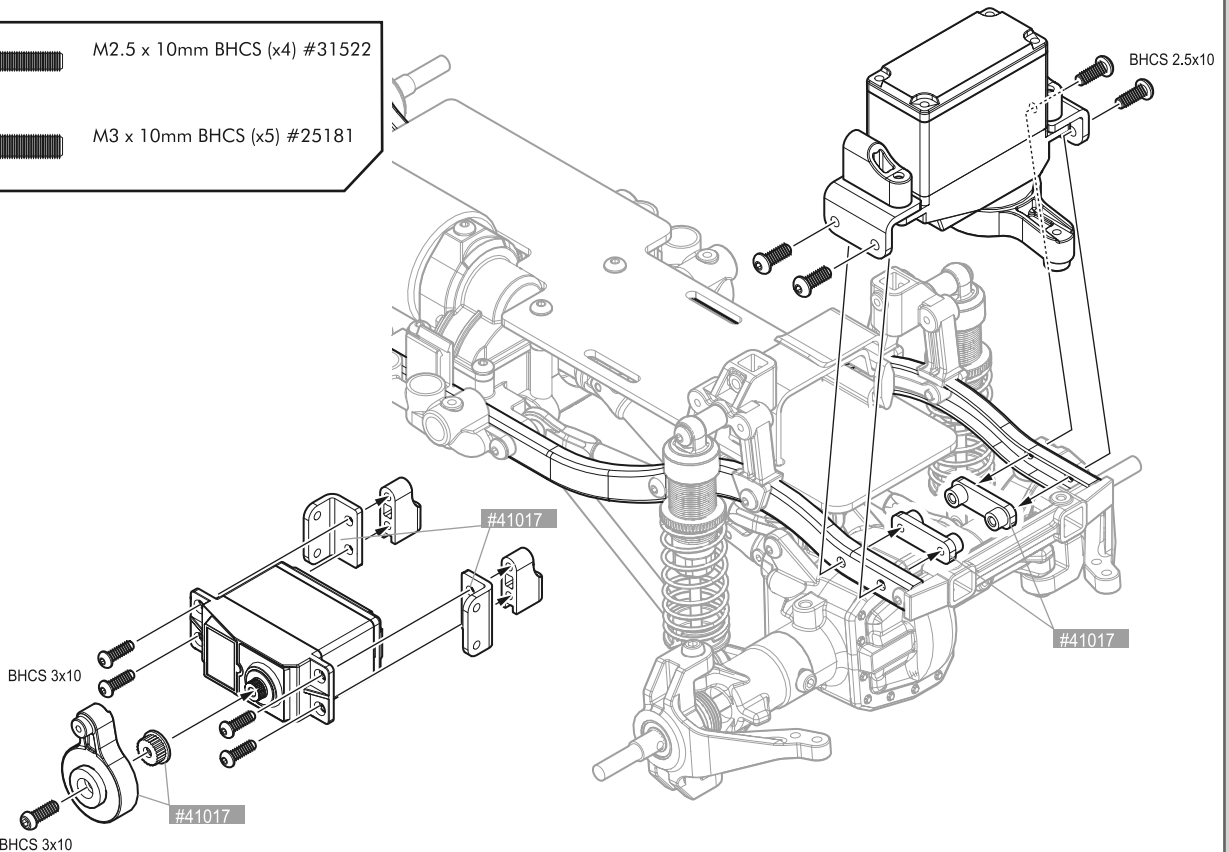
**STEP 16** :: Servo Set 伺服機組





M2.5 x 10mm BHCS (x4) #31522

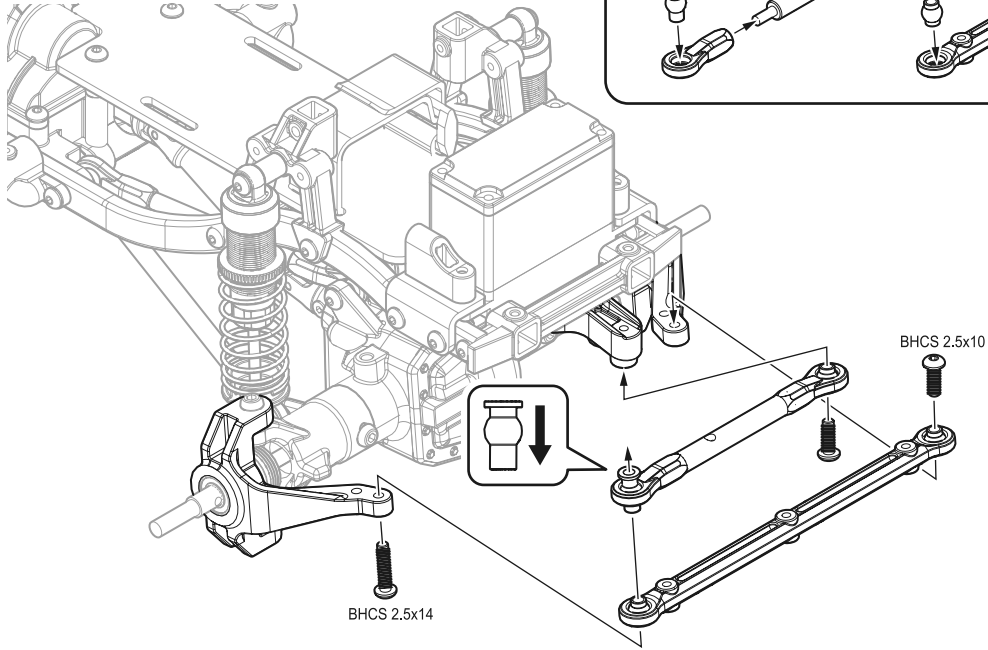
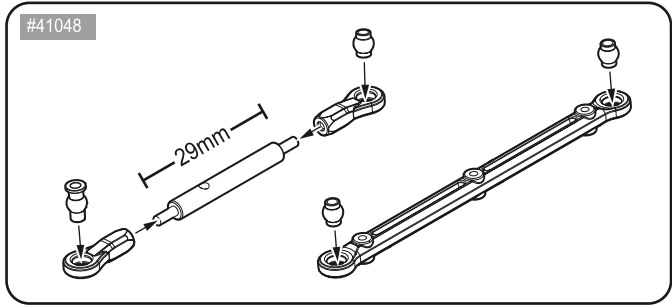


M3 x 10mm BHCS (x5) #25181




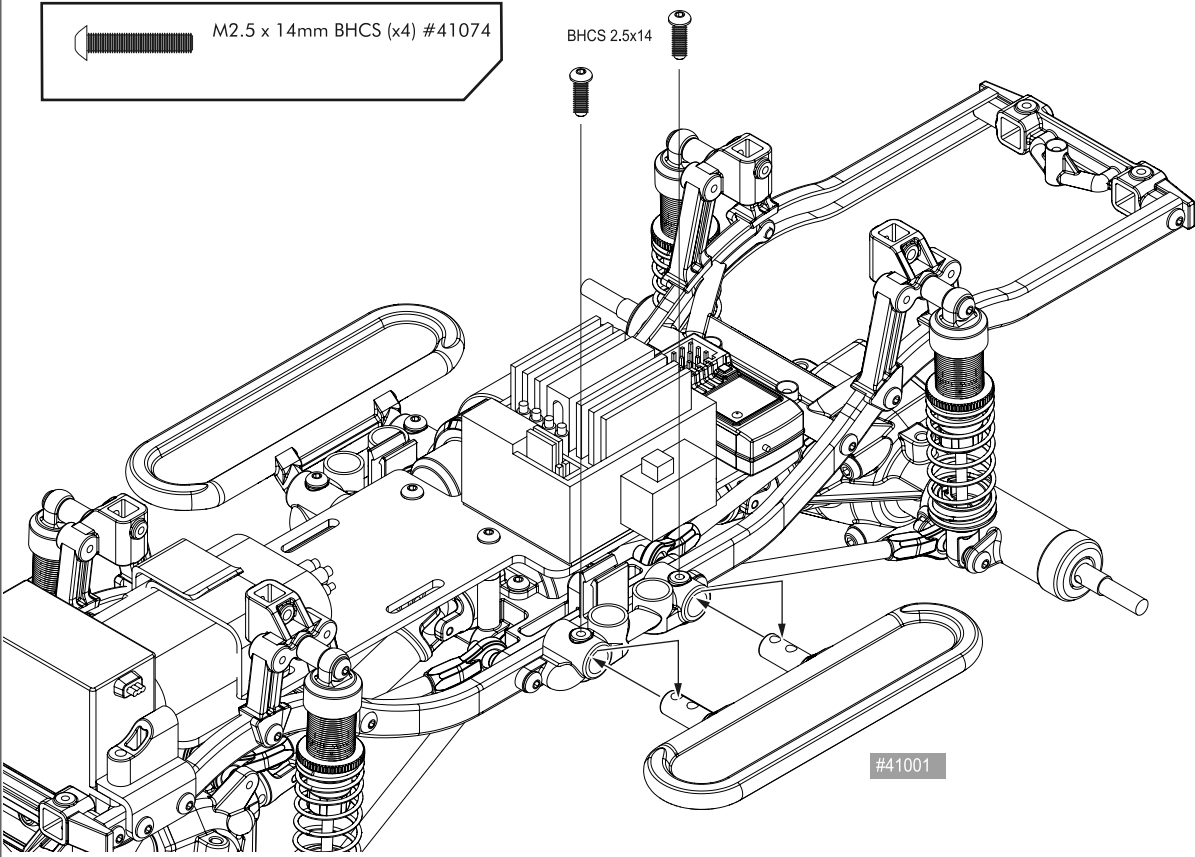
**STEP 17** :: *Steering Turnbuckle* 轉向拉桿

-  M2.5 x 10mm BHCS (x2) #31522
-  M2.5 x 14mm BHCS (x1) #41074



**STEP 18** :: *Side Guard* 側板

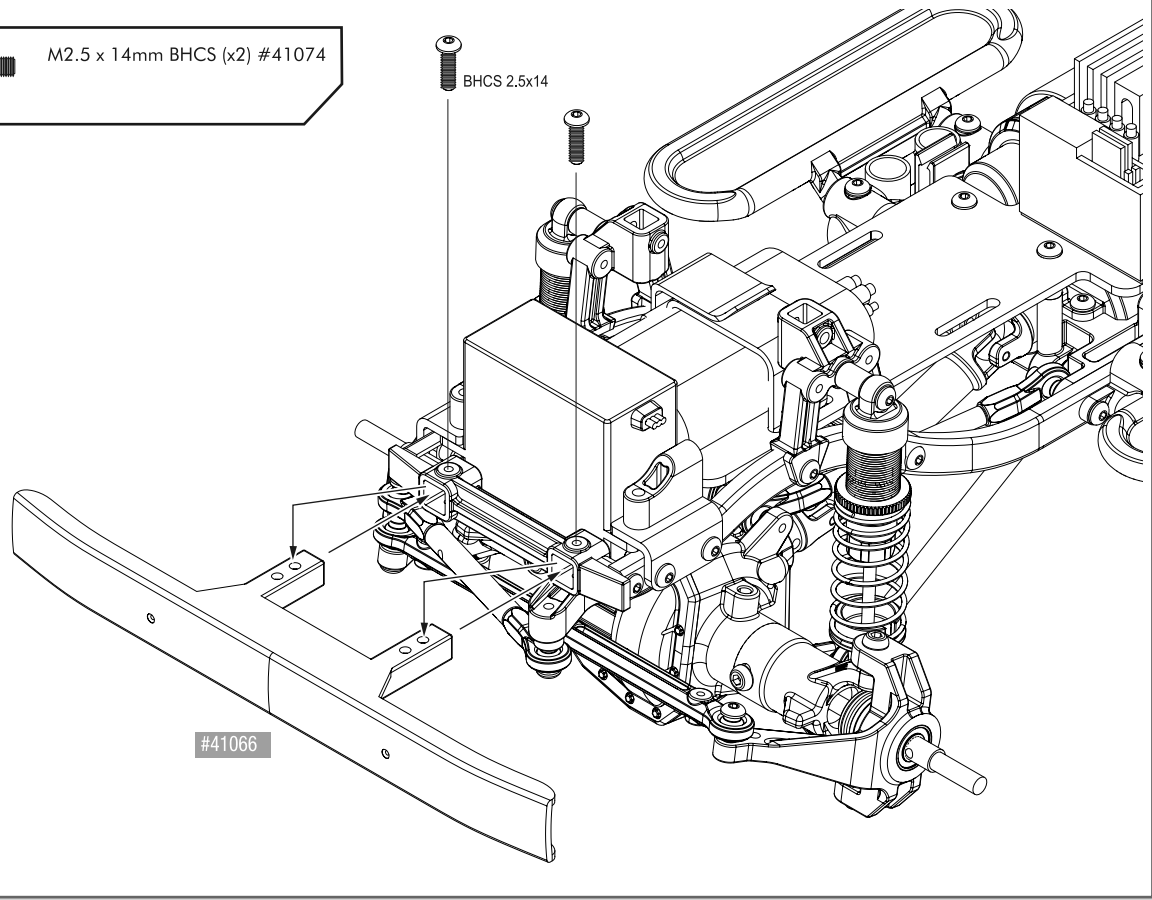
-  M2.5 x 14mm BHCS (x4) #41074



**STEP 19** :: *Front Bumper* 前防撞板

M2.5 x 14mm BHCS (x2) #41074

BHCS 2.5x14

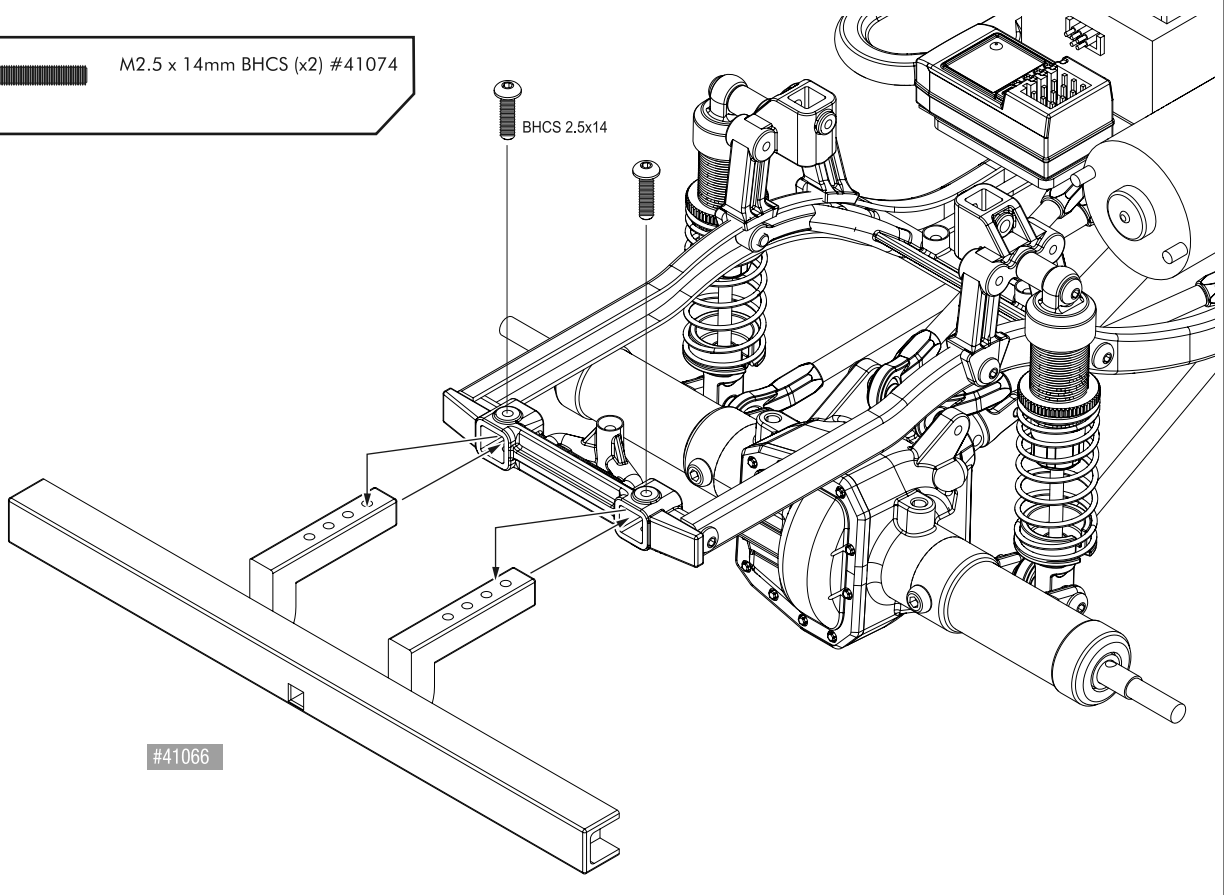


#41066

**STEP 20** :: *Rear Bumper* 後防撞板

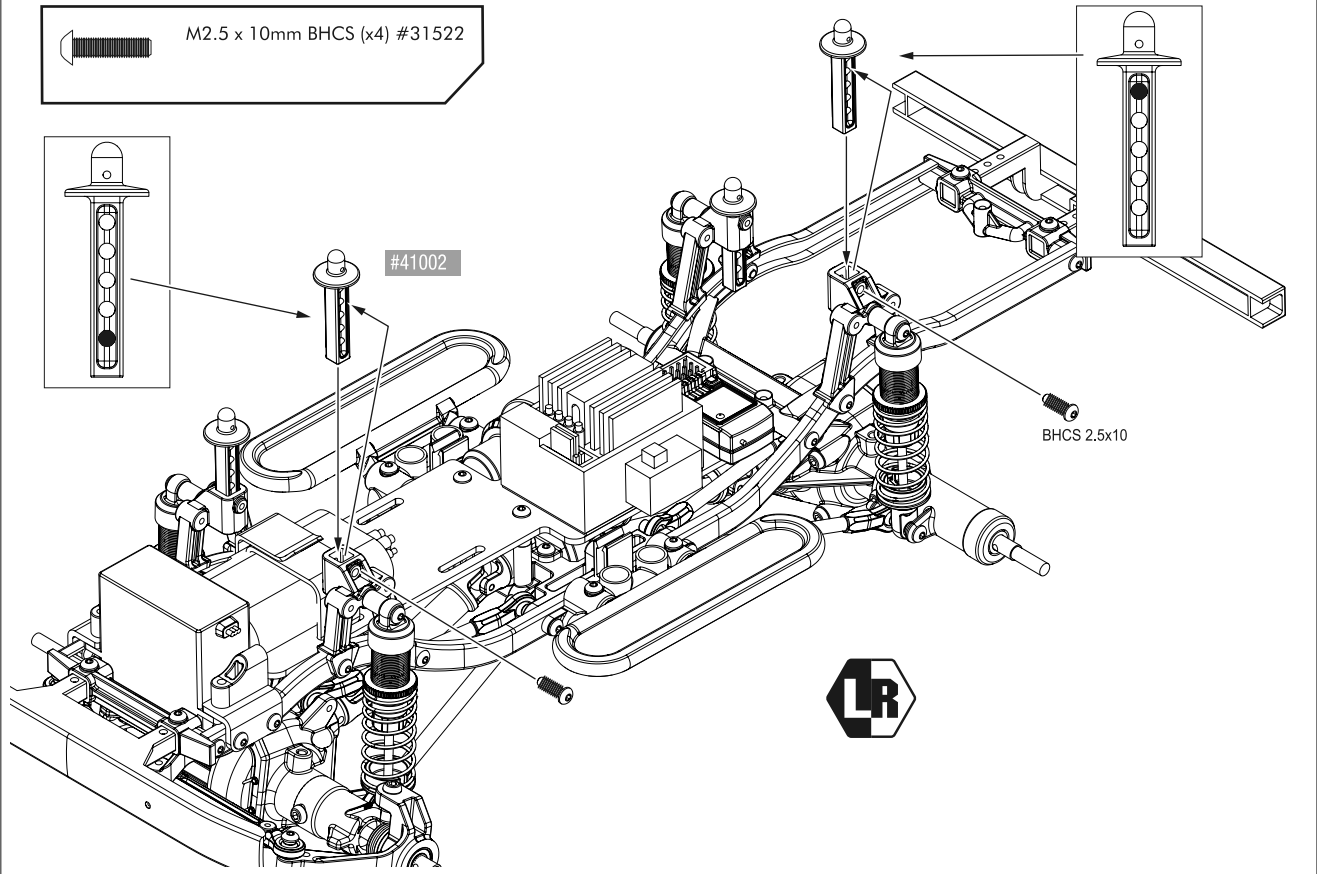
M2.5 x 14mm BHCS (x2) #41074

BHCS 2.5x14

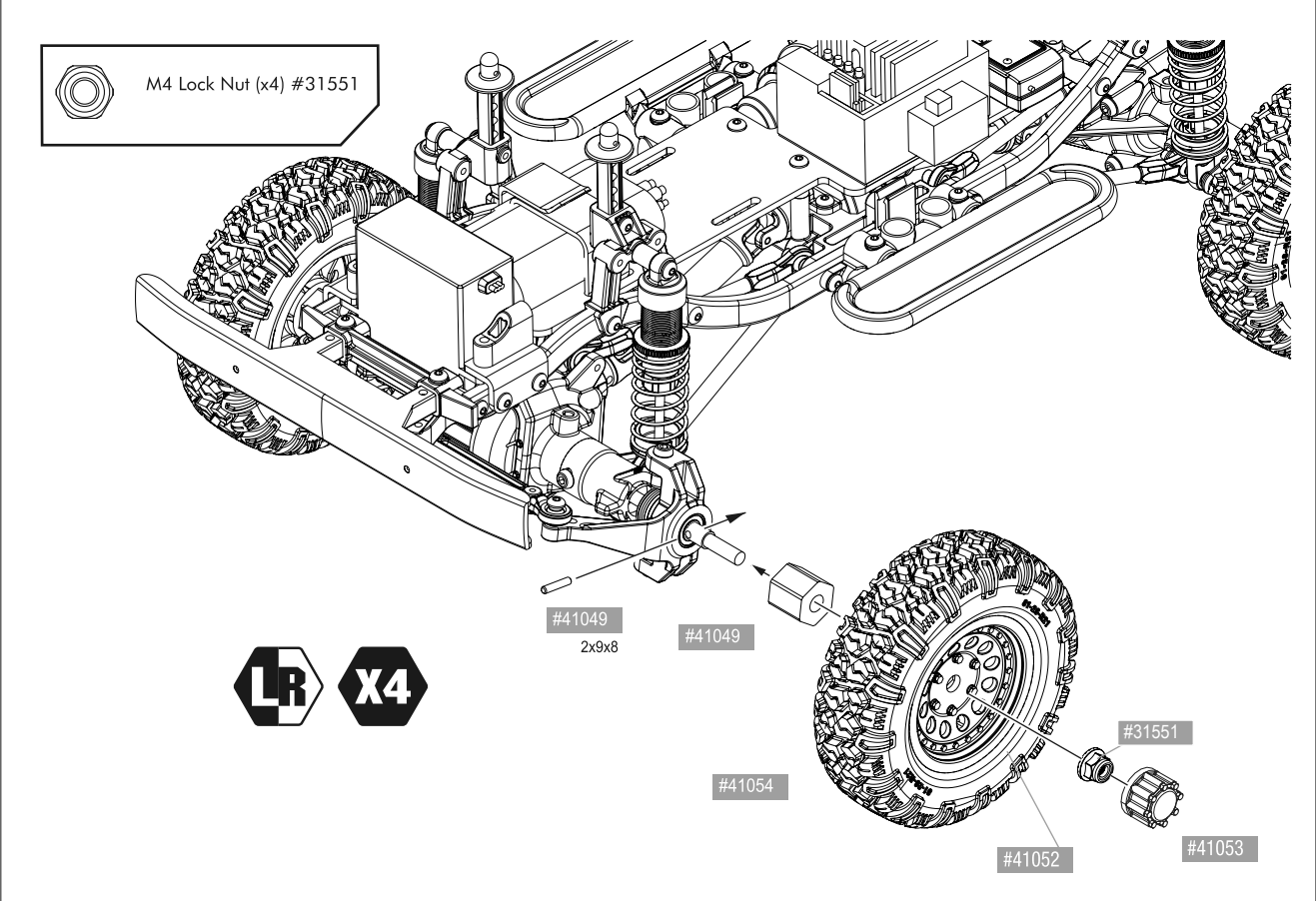


#41066




**STEP 21** :: Front/Rear Body Posts 前/後車殼柱



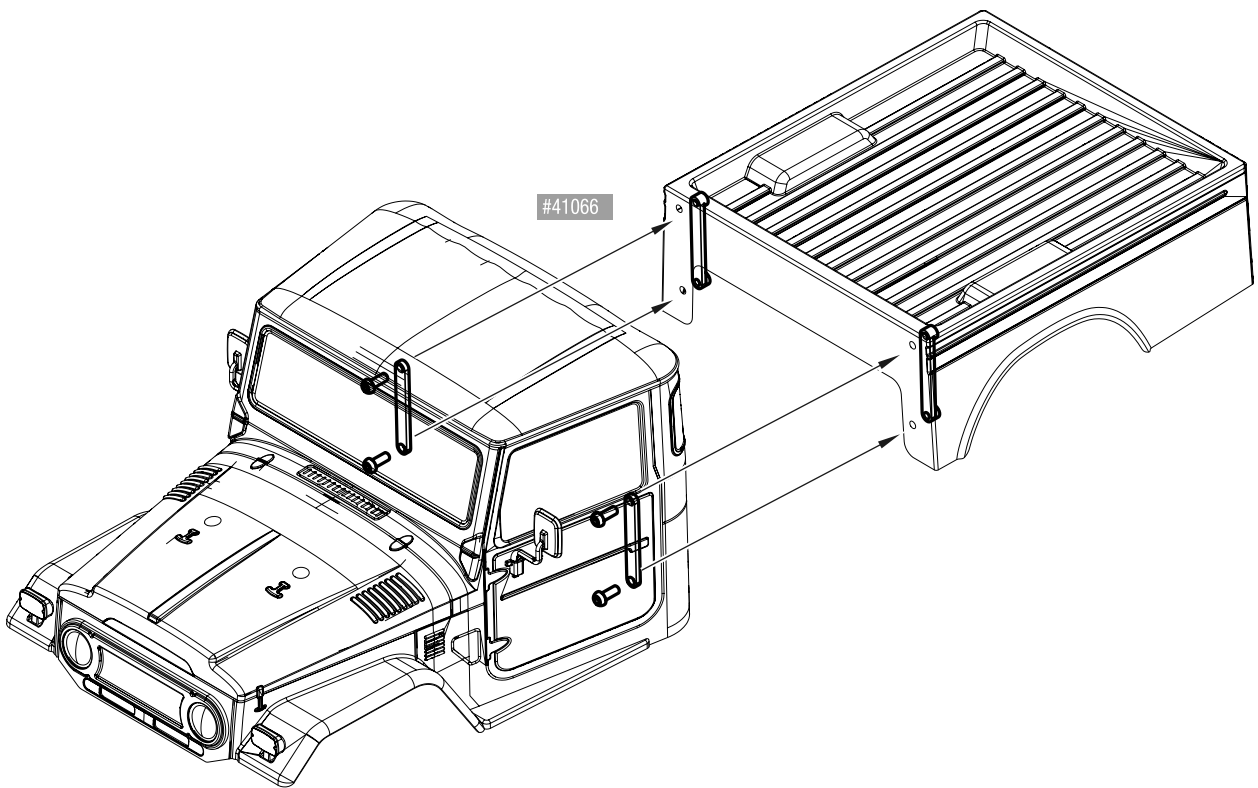
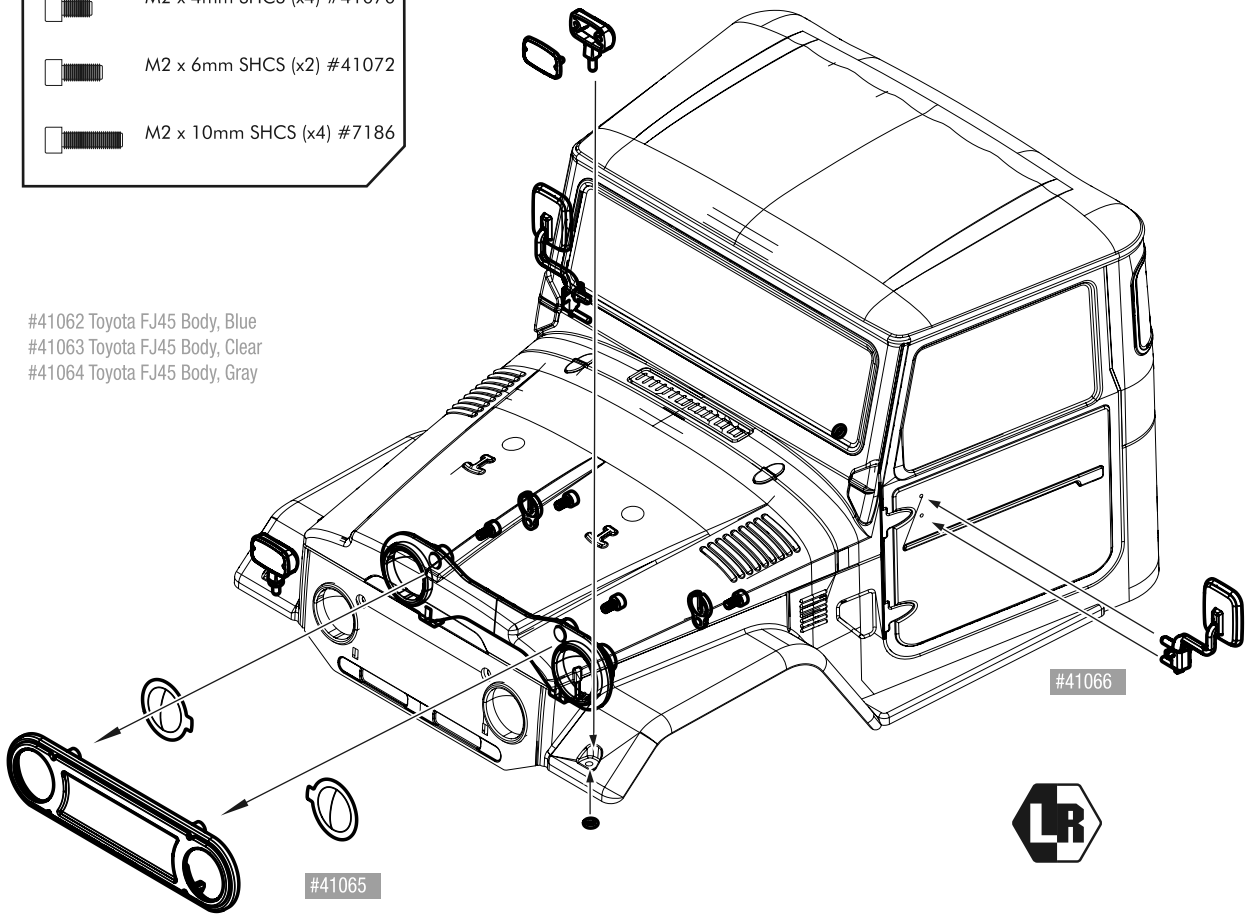
**STEP 22** :: Tires & Wheels 輪胎與輪框

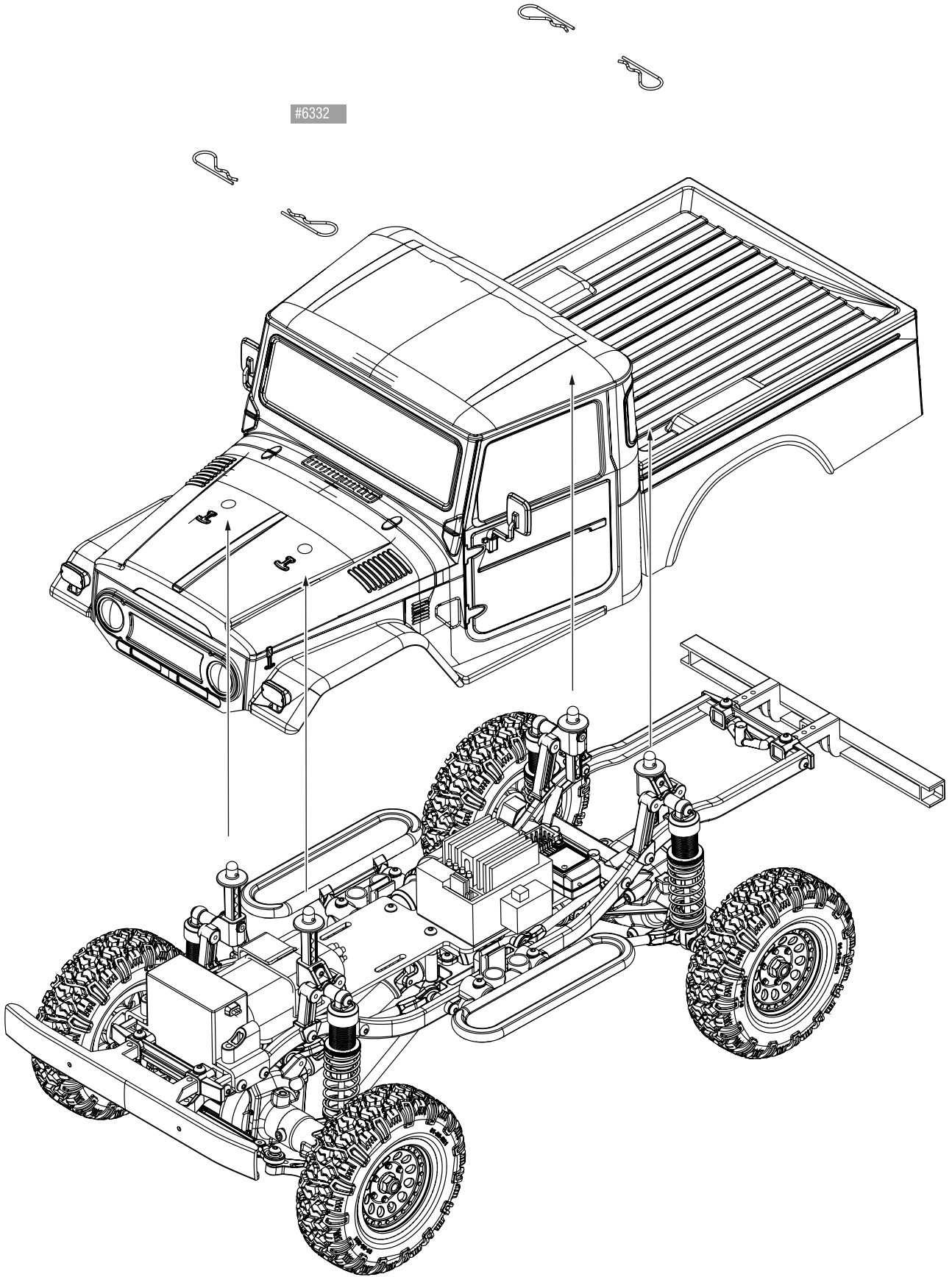


**STEP 23** :: Body 車殼

-  M2 x 4mm SHCS (x4) #41070
-  M2 x 6mm SHCS (x2) #41072
-  M2 x 10mm SHCS (x4) #7186

#41062 Toyota FJ45 Body, Blue  
#41063 Toyota FJ45 Body, Clear  
#41064 Toyota FJ45 Body, Gray







## :: Battery Charging and Installation

### Battery Charging Steps and Safety:

**Remove the battery from the vehicle before charging.**  
**Place battery on a fire resistant surface.**  
**Avoid any contact with water or other liquids.**  
**Be sure to select the correct charging mode for the type of battery you are charging.**

**ALWAYS use a compatible charger for charging your batteries.**

**Caution: Never leave the battery unattended while charging. Always disconnect the charger from the power source when finished charging.**

**Caution: Always disconnect the battery when you are finished driving the vehicle.**



\*USB wall charger not included.

### Peak Detection Quick Charger

### Battery Installation:

**Install the battery with the battery wires directed towards the speed control and strap until battery is snug.**

**1**



**Connect the power plug from the battery to the receiving plug of the speed control.**

**2**



<b>Part #</b>	<b>Description</b>	<b>Part #</b>	<b>Description</b>
1499	FT Body Reamer	41013	CR12 Front CVA Drive Cups
1518	FT Hex Driver Tool Set, 3pc.	41014	CR12 Front CVA Rebuild
1596	FT Locking Adhesive	41015	CR12 Rear Drive Axles
1597	Factory Team Tire Adhesive, medium viscosity	41016	CR12 Steering Blocks
1737	FT Body Scissors	41017	CR12 Servo Saver and Servo Mounts
25181	Screws, M3x10 mm BHPS	41018	CR12 Steering Block Screws
25188	Screws, M3x20 mm BHSS	41019	CR12 Shock Set, plastic parts
25237	Bearings, 5x10x4 mm	41021	CR12 Shock Shafts
25616	Bearings, 10x15x4 mm	41022	CR12 Shock Rod Ends
27101	RT1508 Digital HV Hi-Torque Competition Servo	41023	CR12 Shock Pistons, 2 holes
27200	Reedy 1216-C2 Dual AC/DC Competition Balance Charger	41024	CR12 Shock Rebuild Kit
27231	Reedy USB Li-Ion Balance Charger	41025	CR12 Shock Springs, 0.8 mm
27329	Reedy 850mAh 7.4V Li-Ion Battery	41027	CR12 Shock Cap Bushings
27422	CR380 Brushed Crawler Motor	41029	CR12 Front Upper and Lower Links Set
29198	Reedy SC400 Brushed ESC w/Crawler Mode	41031	CR12 Rear Upper and Lower Links Set
29203	AE XP120 2.4GHz Radio System	41033	CR12 Pivot Balls, 5.0mm, short neck
29204	AE XP-R4 2.4GHz 4CH Receiver	41034	CR12 Pivot Balls, 5.0mm, long neck
29287	XP LED Trail Headlight Set	41035	CR12 Main Drive Gear
31350	Screws, M2.5x10 mm FHCS	41036	CR12 Main Drive Gear Shaft
31521	Screws, M2.5 x 8 BHCS	41037	CR12 Main Drive Gear Shaft Pin
31522	Screws, M2.5x10 mm BHCS	41038	CR12 Center Drive Shaft Set
31532	Screws, M3x0.5x8 mm BHCS	41040	CR12 Drive Shaft Set Screws
31541	Screws, M3x6 mm FHCS	41041	CR12 Step Gear
31551	Locknuts, M4 with flange	41042	CR12 Step Gear Shaft and Bushings
41000	CR12 C-Channel Frame Rails	41043	CR12 Pinion Gear, 11T
41001	CR12 Shock Towers and Bumper Mounts	41044	CR12 Pinion Gear, 12T
41002	CR12 Body Posts	41045	CR12 Electronics Tray, metal
41003	CR12 Gearbox and Motor Mount	41047	CR12 Battery Straps
41004	CR12 Front Axle Housing and Hubs	41048	CR12 Steering Turnbuckle Set
41005	CR12 Rear Axle Housing and Hubs	41049	CR12 Wheel Hexes and Pins Set
41007	CR12 Input Pinion Gear	41051	CR12 Wheel Set, chrome
41008	CR12 Input Pinion Gear Shaft	41052	CR12 Wheel Set, Black
41009	CR12 Differential Ring Gear	41053	CR12 Wheel Set, Satin Silver
41010	CR12 Differential Bevel Gear, metal	41054	CR12 Multi-Terrain Tires
41011	CR12 Differential Set	41056	CR12 Ford F-150 Body, clear
41012	CR12 Front CVA Drive Shafts	41057	CR12 Ford F-150 Bumper Set, chrome

<b>Part #</b>	<b>Description</b>	<b>Part #</b>	<b>Description</b>
41058	CR12 Ford F-150 Bumper Set, black	5427	FT Silicone Shock Fluid, 15wt (150 cSt)
41059	CR12 Ford F-150 Body, blue	5428	FT Silicone Shock Fluid, 25wt (275 cSt)
41060	CR12 Ford F-150 Body, black	5429	FT Silicone Shock Fluid, 35wt (425 cSt)
41061	CR12 Ford F-150 Grill and Accessories Set	5430	FT Silicone Shock Fluid, 45wt (575 cSt)
41062	TOYOTA FJ45 BODY W/ACCESSORIES, BLUE	5431	FT Silicone Shock Fluid, 55wt (725 cSt)
41063	TOYOTA FJ45 BODY W/ACCESSORIES, CLEAR	5432	FT Silicone Shock Fluid 32.5wt (388 cSt)
41064	TOYOTA FJ45 BODY W/ACCESSORIES, GRAY	5433	FT Silicone Shock Fluid, 37.5wt (463 cSt)
41065	TOYOTA FJ45 BUMPERS AND BODY ACCESSORIES, WHITE	5434	FT Silicone Shock Fluid 42.5wt (538 cSt)
41066	TOYOTA FJ45 BUMPERS AND BODY ACCESSORIES, SATIN CHROME	5435	FT Silicone Shock Fluid, 50wt (640 cSt)
41067	CR12 Roll Bar and Bumper, Black	5436	FT Silicone Shock Fluid, 60wt (800 cSt)
41068	TOYOTA FJ45 BUMPERS AND BODY ACCESSORIES, BLACK	5437	FT Silicone Shock Fluid, 70wt (900 cSt)
41070	Screws, M2x4mm SHCS	5438	FT Silicone Shock Fluid 47.5wt (613 cSt)
41072	Screws, M2x10mm BHCS	6332	Body Clips
41073	Screws, M2.5x14mm BHCS	6588	Black Grease, 4cc
41074	Screws, M2.5x20mm BHCS	6727	Servo Tape
41075	Screws, M2.5x25mm BHCS	6950	Allen Wrench Set, 5 wrenches
41076	Screws, M2.5x12mm FHCS	7186	Screws, M2x6 mm SHCS
5420	FT Silicone Shock Fluid, 10wt (100 cSt)	89215	Locknuts, Shock Piston
5421	FT Silicone Shock Fluid, 20wt (200 cSt)	91158	Screws, M3x4 mm BHCS
5422	FT Silicone Shock Fluid, 30wt (350 cSt)	91560	FT Bearings, 5x10x4 mm
5423	FT Silicone Shock Fluid, 40wt (500 cSt)	91563	FT Bearings, 10x15x4 mm
5424	FT Silicone Shock Fluid 22.5wt (238 cSt)	91581	FT Ti Screws, M3x8 mm BHCS
5425	FT Silicone Shock Fluid, 80wt (1000 cSt)	91587	FT Ti Screws, M3x20 mm BHCS
5426	FT Silicone Shock Fluid 27.5wt (313 cSt)	91591	FT Ti Screws, M3x6 mm FHCS

## :: Notes

---



---



---



---



---



---



---



---

# **TEAM ASSOCIATED**

WORLD CHAMPION R / C CARS

**Associated Electrics, Inc.**  
**26021 Commercentre Dr. Lake Forest, CA 92630 USA**

**call: (949) 544-7500 - fax: (949) 544-7501**

**Check out the following web sites for all of our kits,  
current products, new releases, setup help, tips, and racing info!**

**[www.TeamAssociated.com](http://www.TeamAssociated.com) - [www.RC10.com](http://www.RC10.com)**

## **FOLLOW US ON SOCIAL MEDIA**



**TeamAssociated**  
**ReedyPower**



**@TeamAssociatedRC**  
**@ReedyPower**



**@Team\_Associated**  
**@ReedyPower**



**AEFactoryTeam**